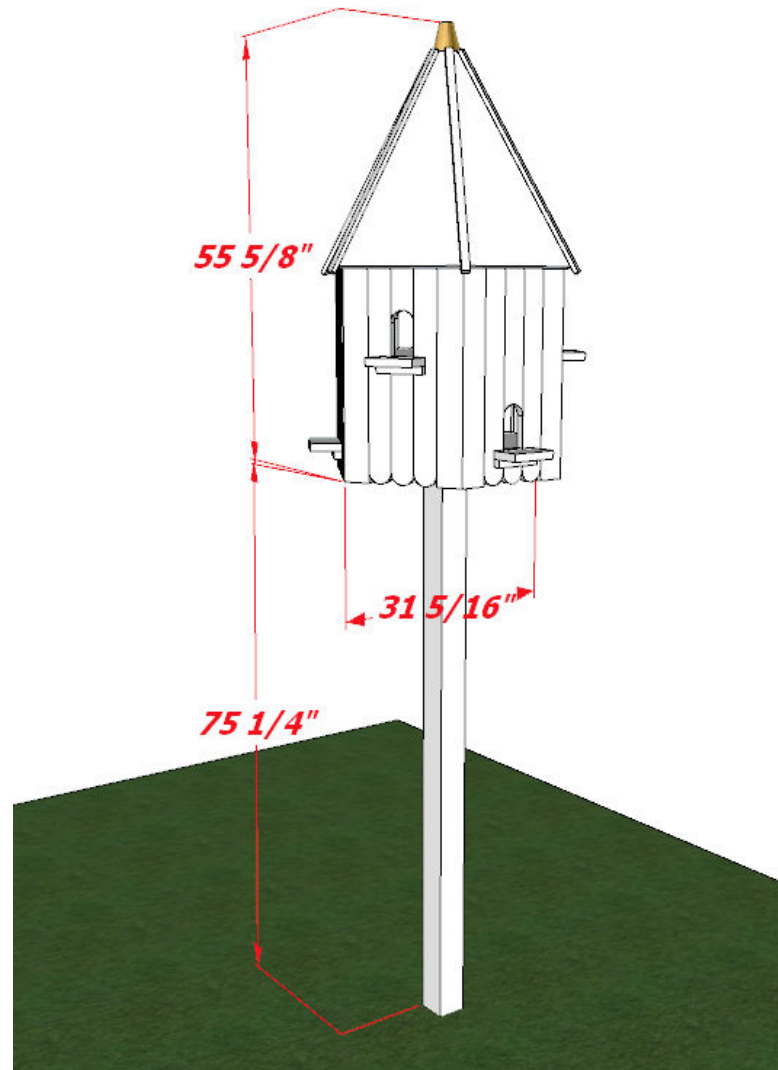


# Description



The following guide is made to explain how to create wooden Buckingham Dovecote by your own.

# Project estimation and general recommendations

Recommended tools:

1. Miter saw
2. Circular saw
3. Drill
4. Screw drive
5. Tape measure
6. Pencil
7. Safety glasses
8. Spirit level

Estimated cost:

About 100\$ (various in different countries)

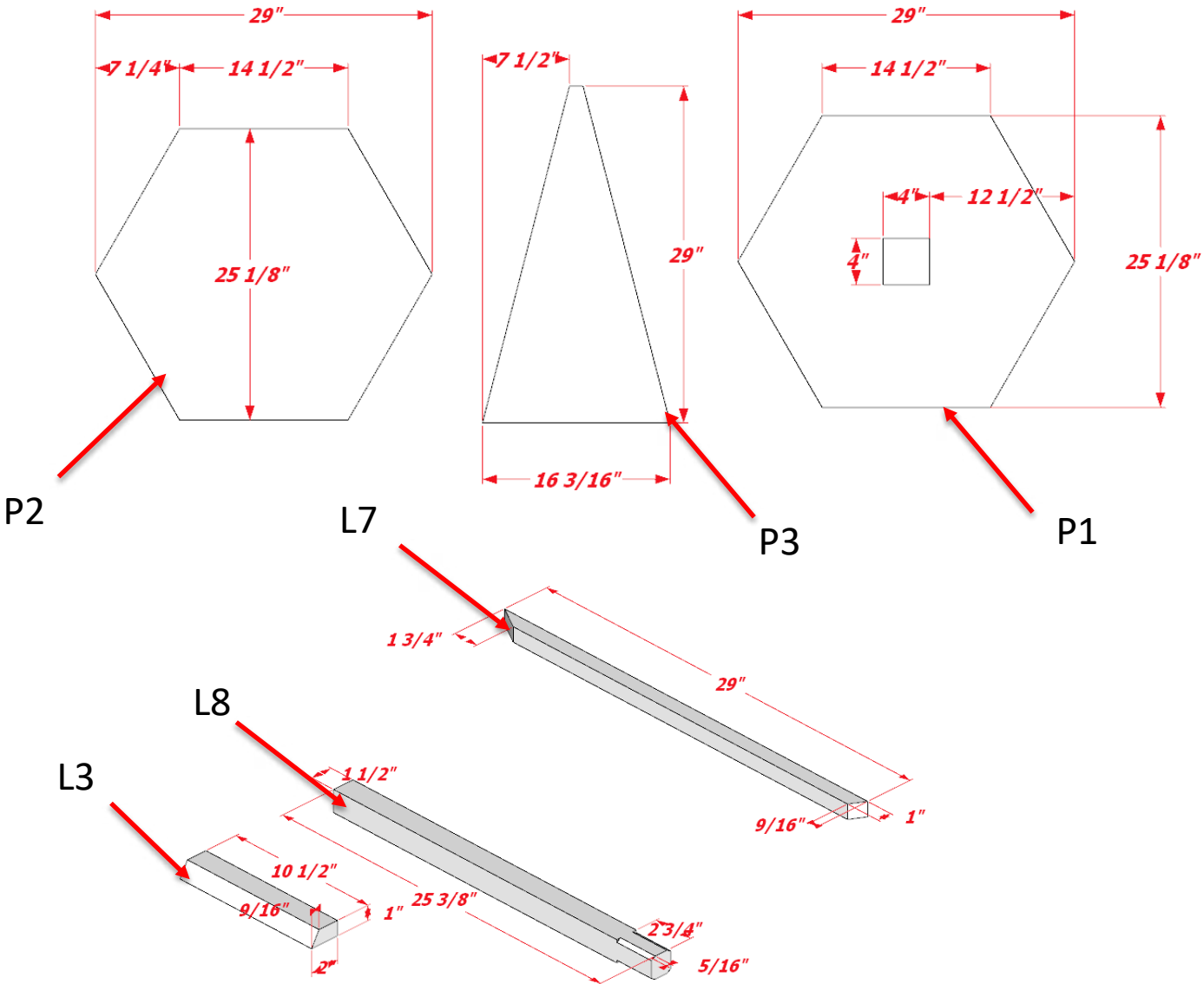
Estimated time:

About 8 hours

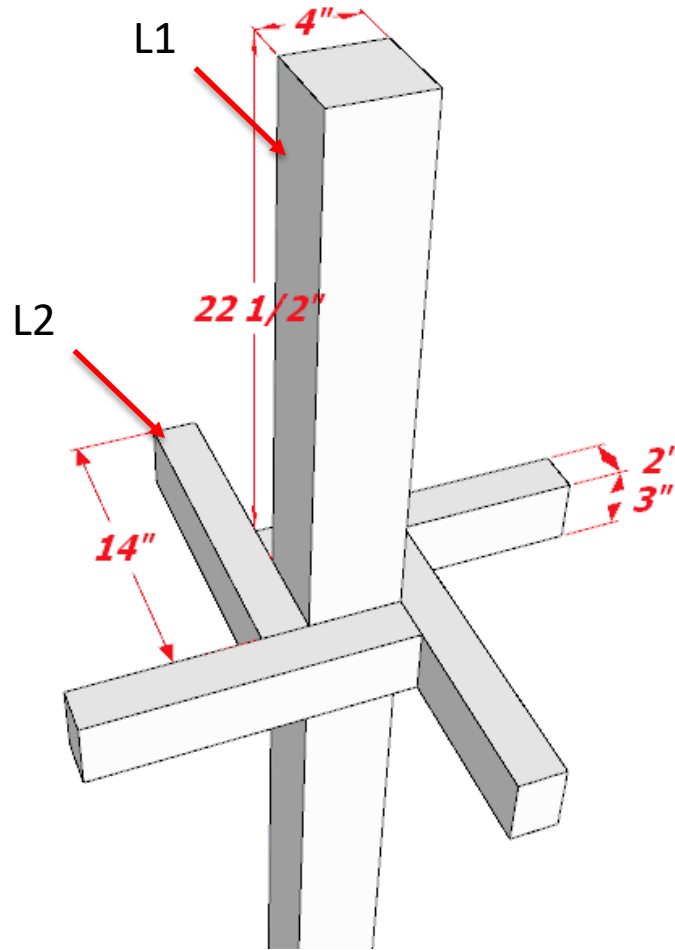
# Buckingham Dovecote centerpiece material list

Wood/wooden materials						
Name	Material	Property	L	W	QTI	Note
L1	Lumber 4x4		25 1/4"		1	Post
L2	Lumber 3x2		14"		4	Bottom frame
L3	Lumber 2x1	Angle cut	10 1/2"		24	Wall frame
L4	Lumber 2x1		10 1/2"		12	Wall frame
L5	Lumber 4x1	Angle cut to 3 5/16"	26 3/4"		12	Siding
L6	Lumber 3x1		26 3/4"		18	Siding
L7	Lumber 1x1	Two angle cuts	29"		6	Roof frame
L8	Lumber 1 1/2x1 1/2	Cut chamfers	25 3/8"		1	Roof frame
L9	Lumber 4x1		6"		6	Entry plate
L10	Lumber 1x1		6"		6	Entry plate
P1	Plywood 3/4	Angle cuts, hole cut	29"	25 1/8"	2	Floor
P2	Plywood 3/4	Angle cuts	29"	25 1/8"	1	Ceiling
P3	Plywood 9/16	Angle cuts	29"	16 3/16"	6	Roof covering
P4	Plywood 9/16		31"		6	Roof covering
Top	Wood		∅3 1/2"		1	

# Special details

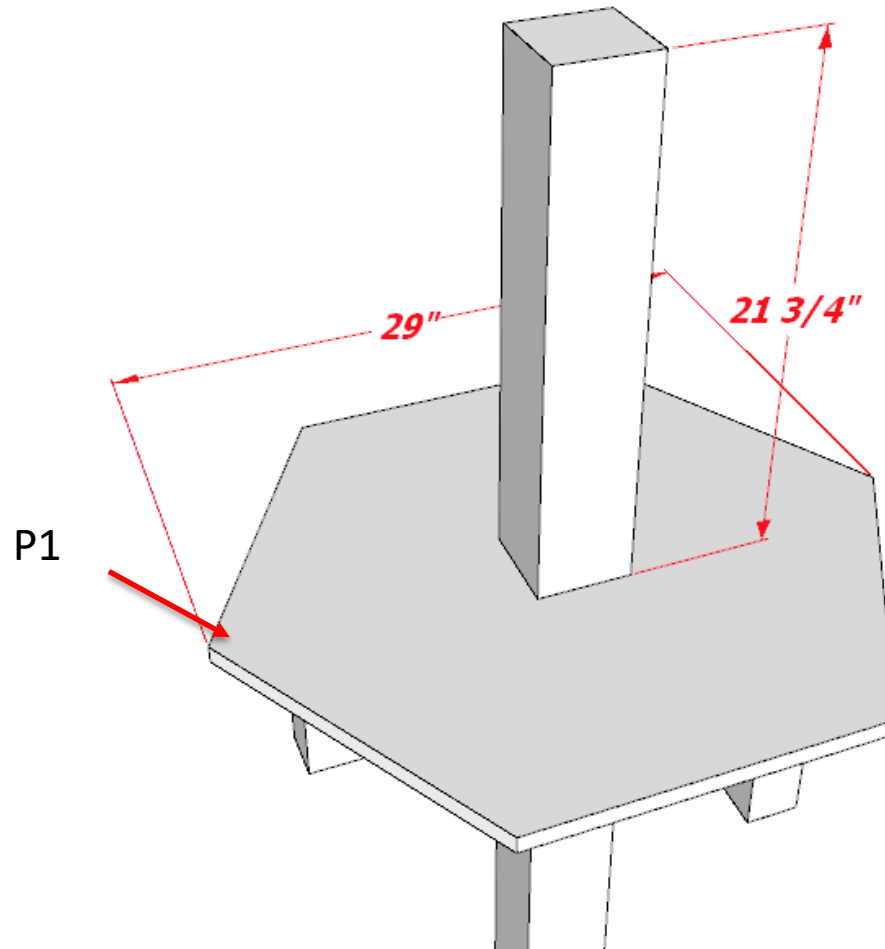


# Stage 1. Frame



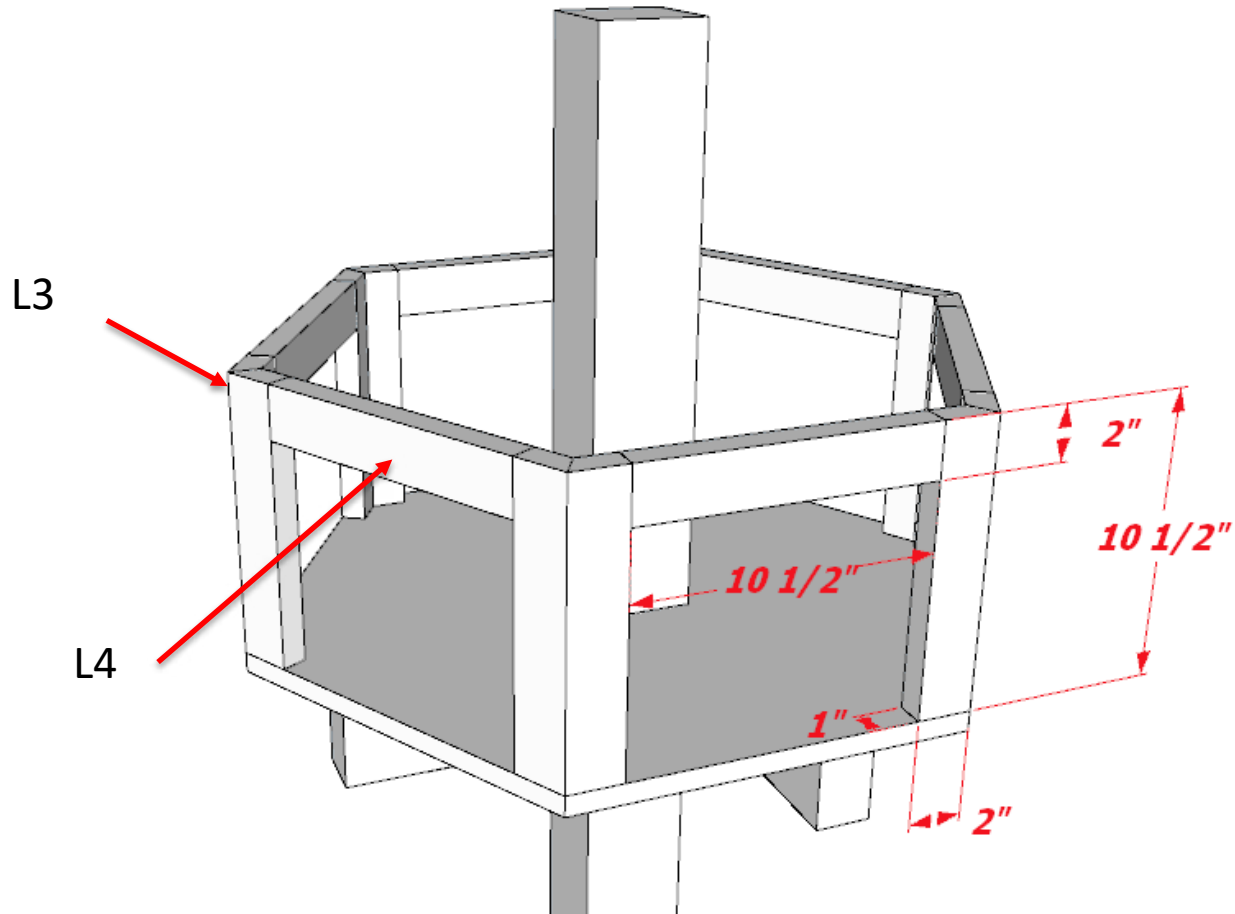
Create frame with 2"x3" lumbers on 4"x4" post. Use 3" screws or nails.

# Stage 2. Decorations



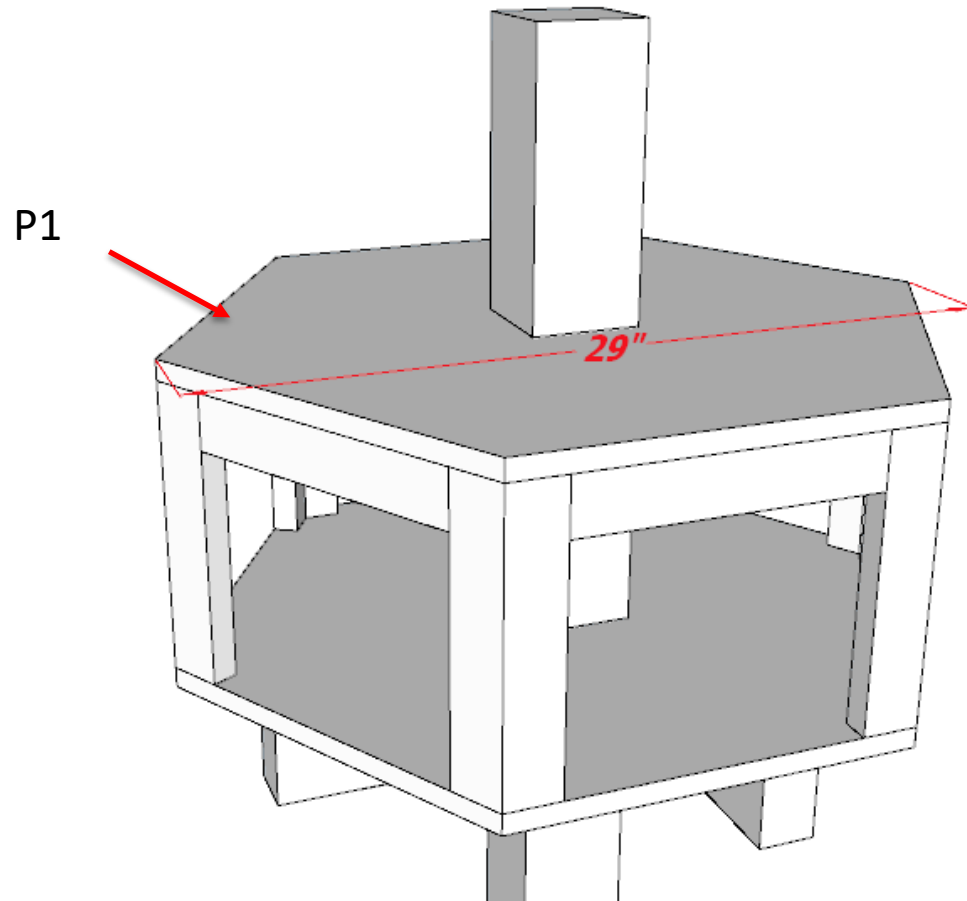
Set first floor  $\frac{3}{4}$  plywood panel. Use 1 1/2" screws or nails.

# Stage 2. Decorations



Create wall framing with 2x1 lumbers. Use 1 1/2" screws or nails.

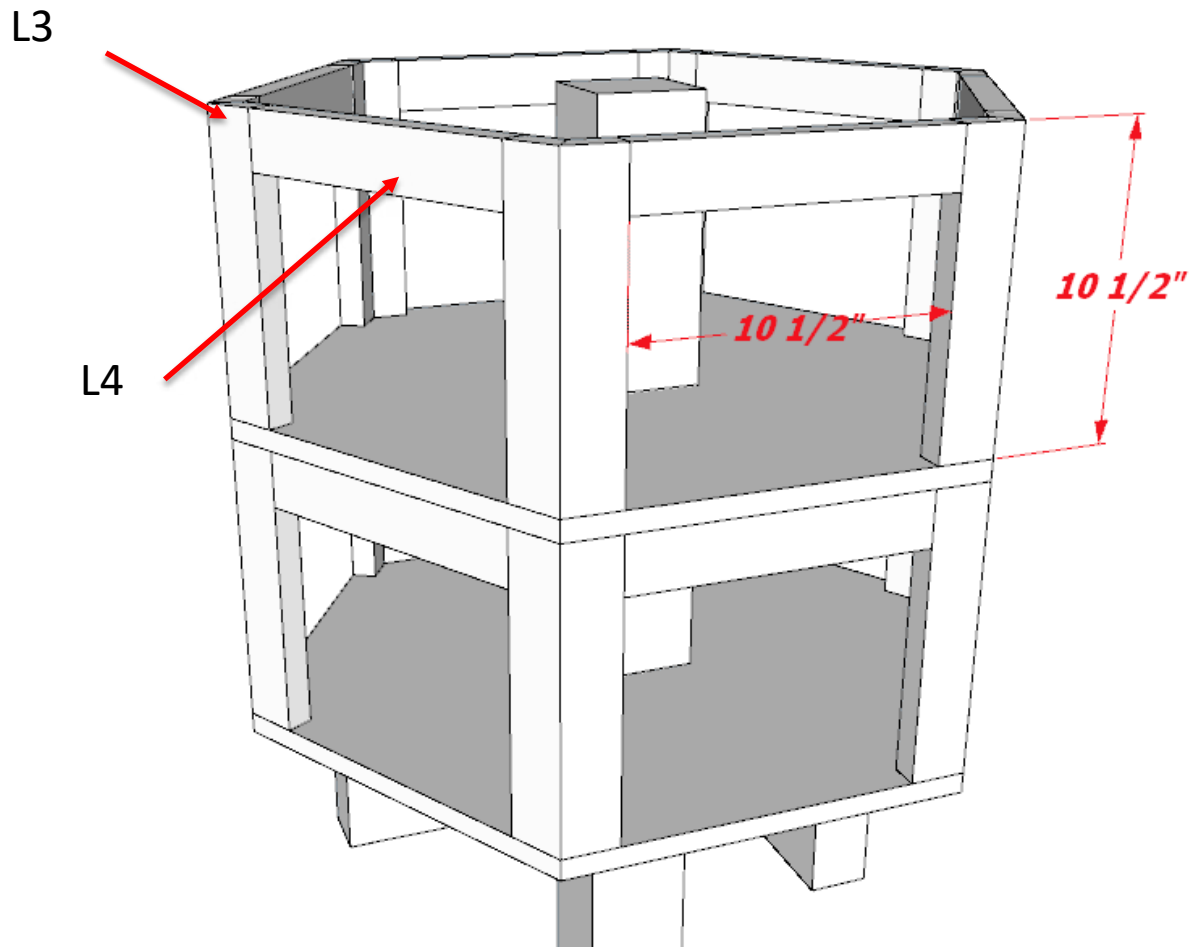
# Stage 2. Decorations



Set second floor  $\frac{3}{4}$  plywood panel. Use 1  $\frac{1}{2}$ " screws or nails.

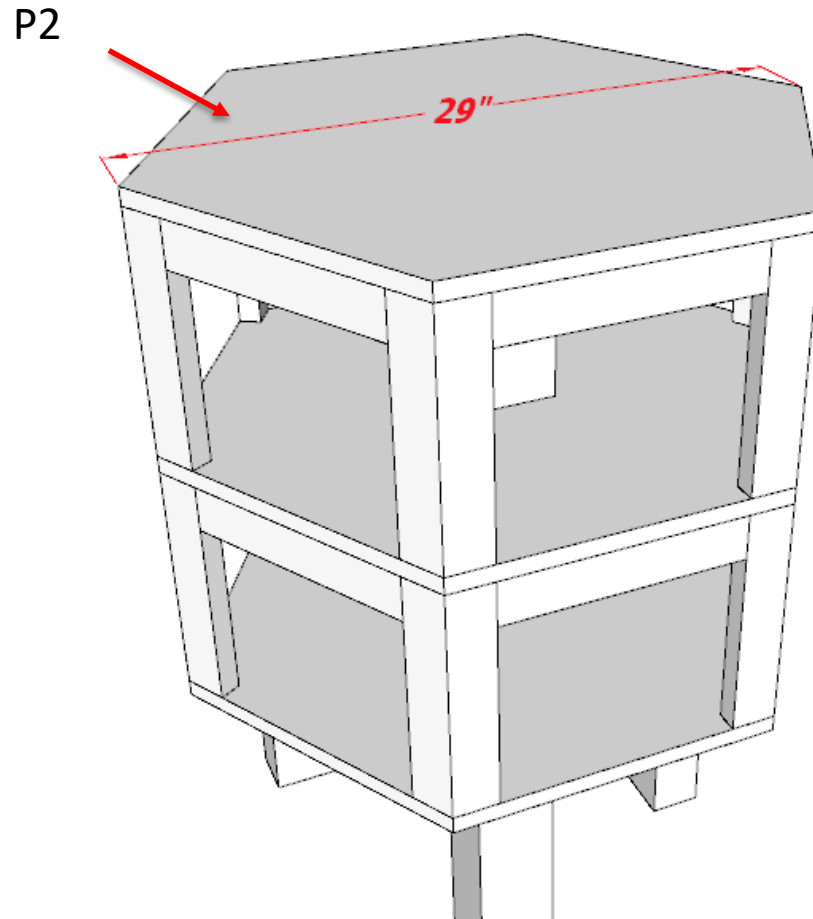


# Stage 2. Decorations



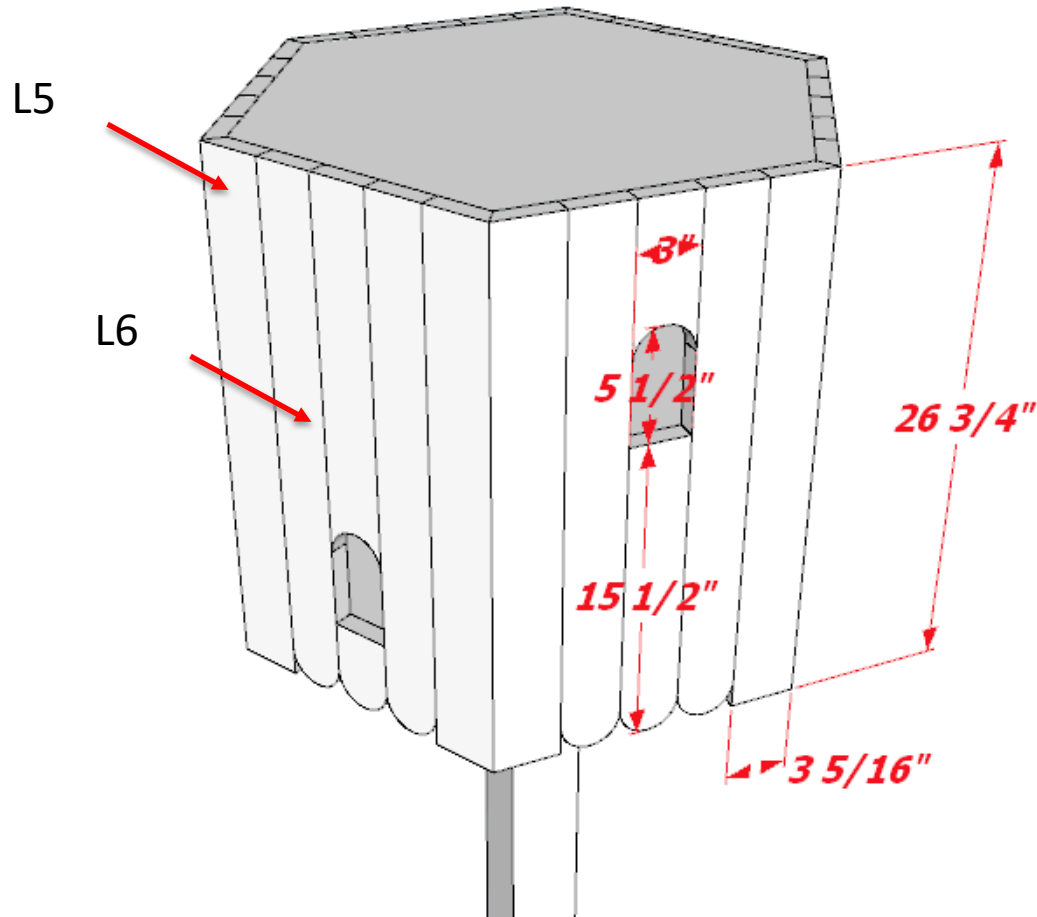
Create wall framing with 2x1 lumbers. Use 1 1/2" screws or nails.

# Stage 2. Decorations



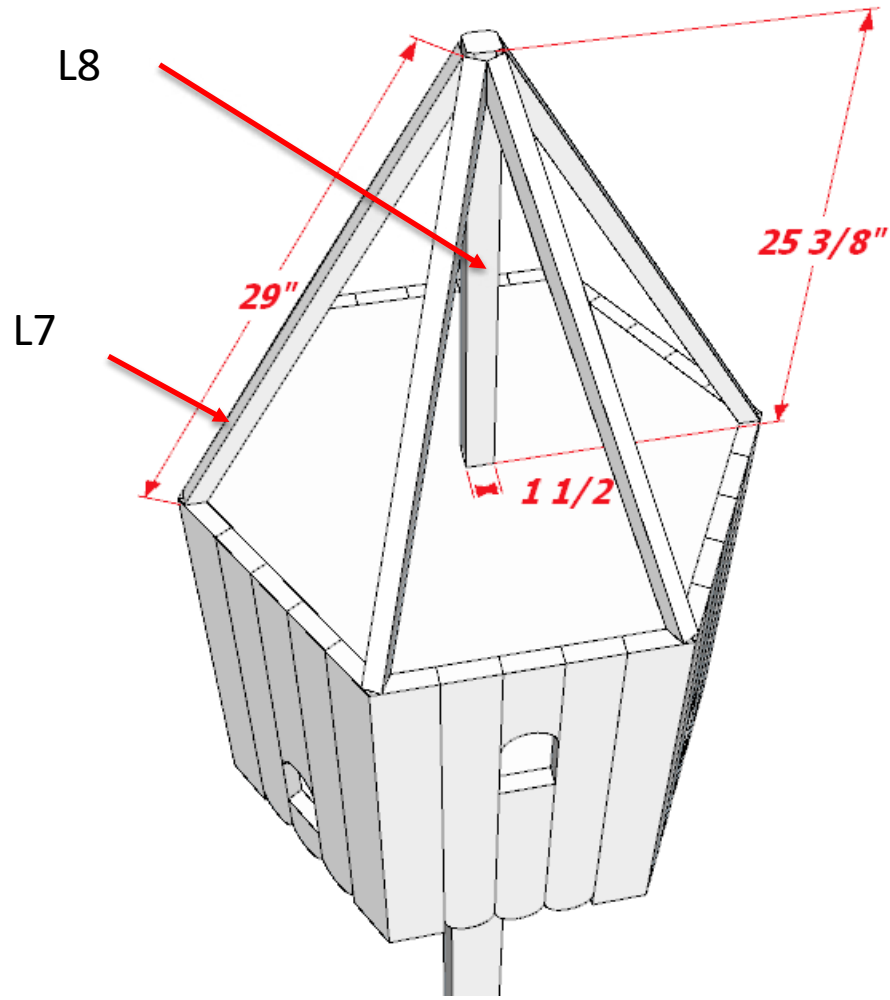
Set ceiling  $\frac{3}{4}$  plywood panel. Use 1 1/2" screws or nails.

# Stage 2. Decorations



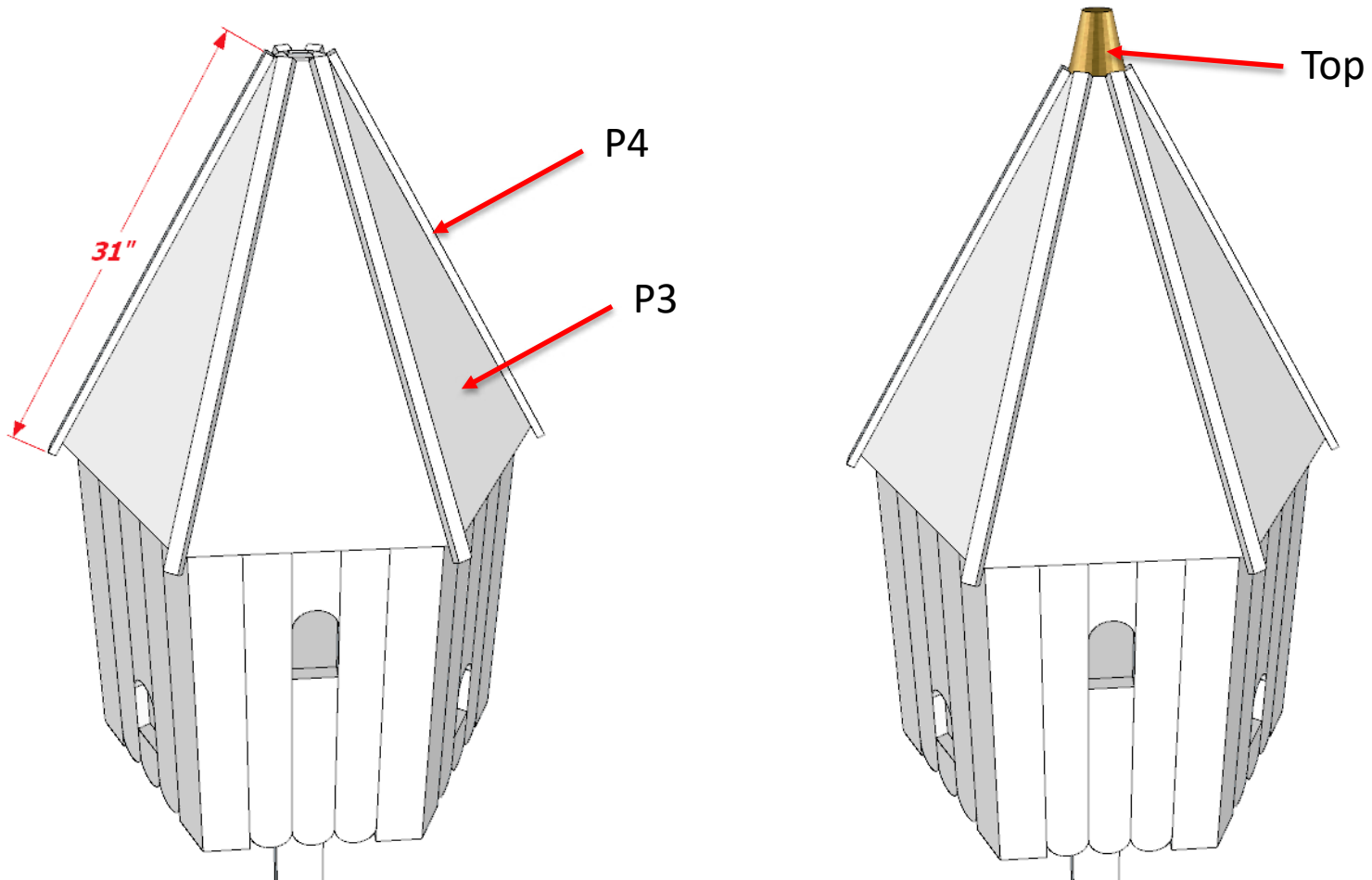
Add siding and cut entry holes. Use 1 1/2" screws or nails.

# Stage 2. Decorations



Create roof framing with 1" and 1 1/2" lumbers. Use 1" screws or nails.

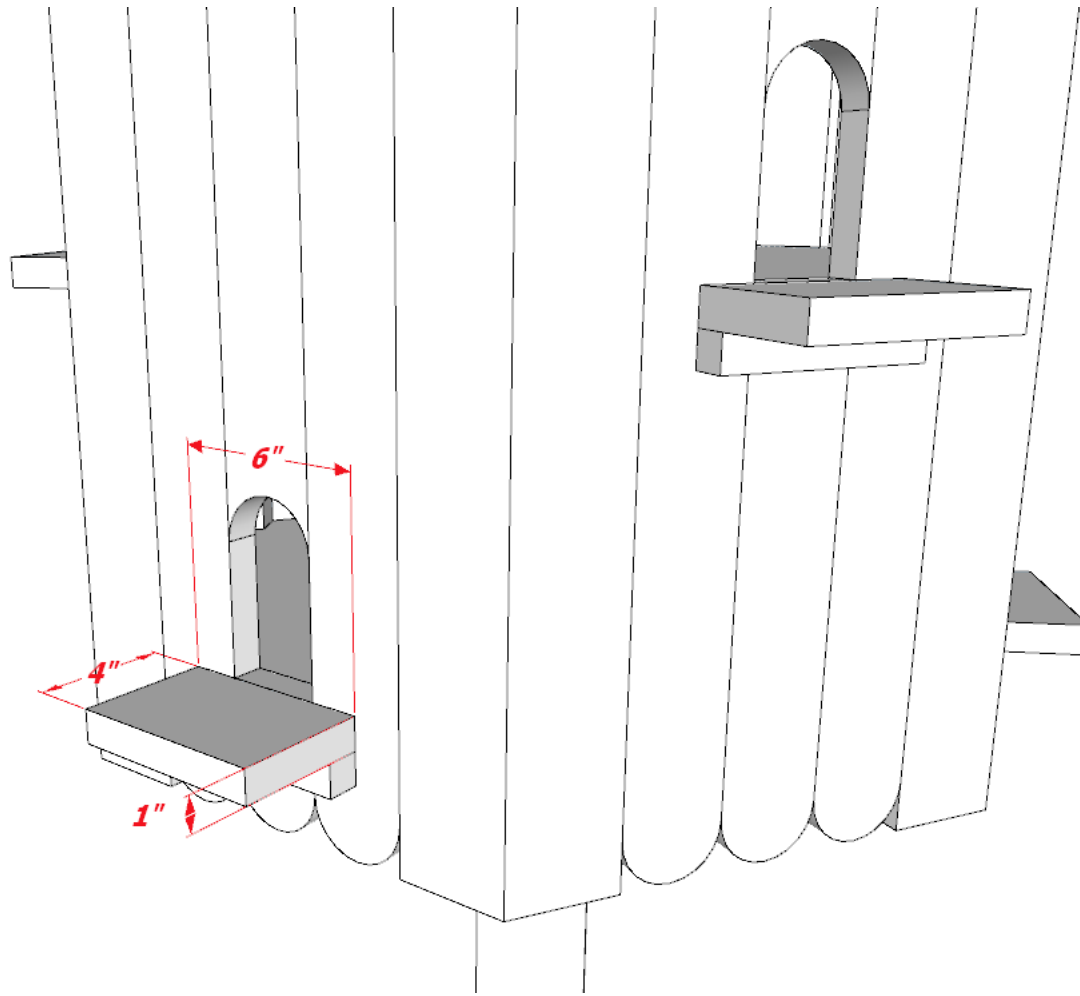
# Stage 2. Decorations



Add 9/16 plywood roof covering and top. Use 1" screws or nails.

**Note:** you could by wooden top or made it by your own  
add waterproof membrane to roof covering

# Stage 2. Decorations



Create entry plate with 4x1" and 1" lumbers. Use 1 1/2" screws or nails.

# General recommendations

1. Please use safety glasses and hearing protection.
2. Be careful with electricity and electric tools.
3. It is recommended to brush and cover wood elements by paint or varnish.