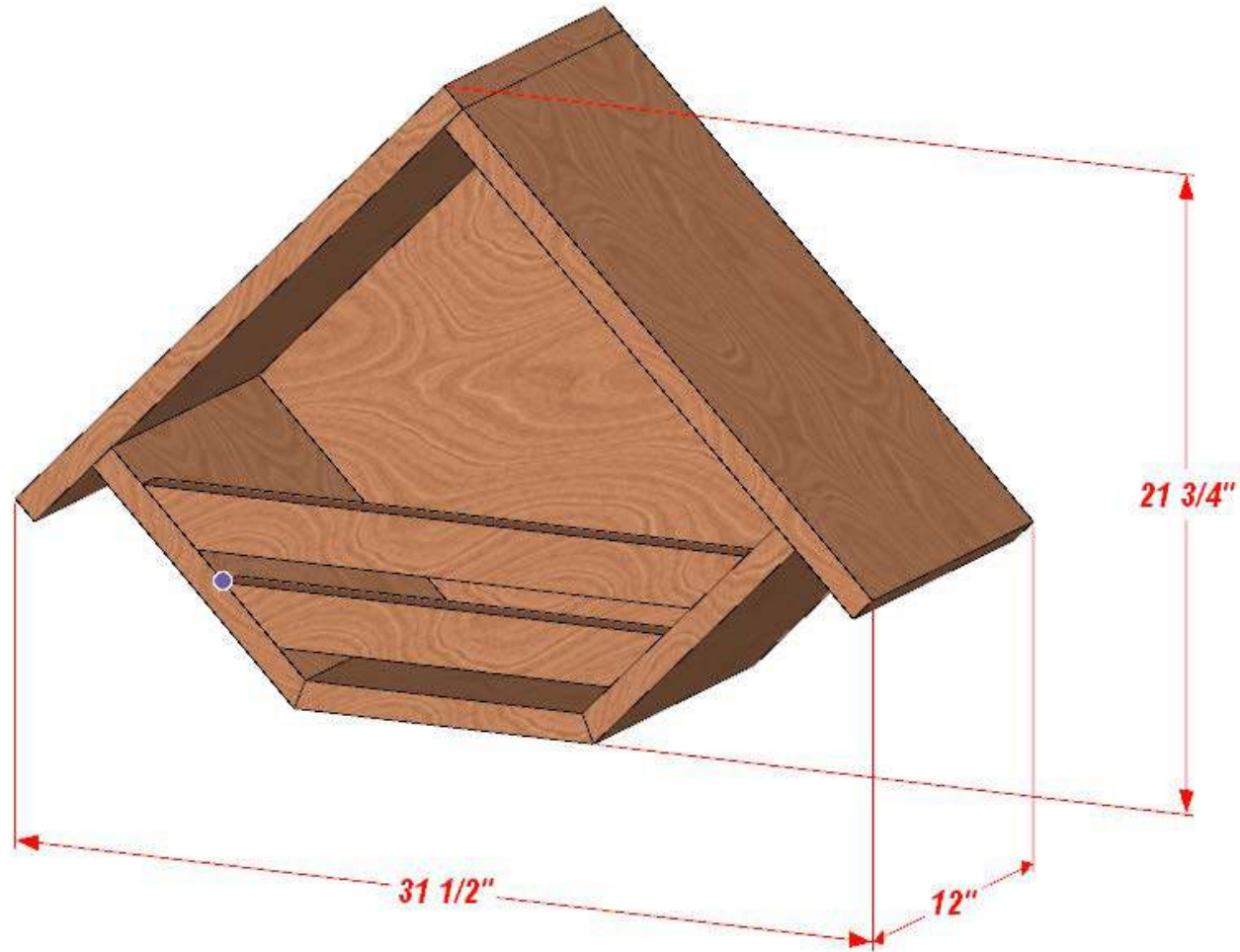


Description



The following guide is made to explain how to create wooden Dovecote by your own.

Project estimation and general recommendations

Recommended tools:

1. Miter saw
2. Circular saw
3. Drill
4. Screw drive
5. Tape measure
6. Pencil
7. Safety glasses
8. Spirit level

Estimated cost:

About 30\$ (various in different countries)

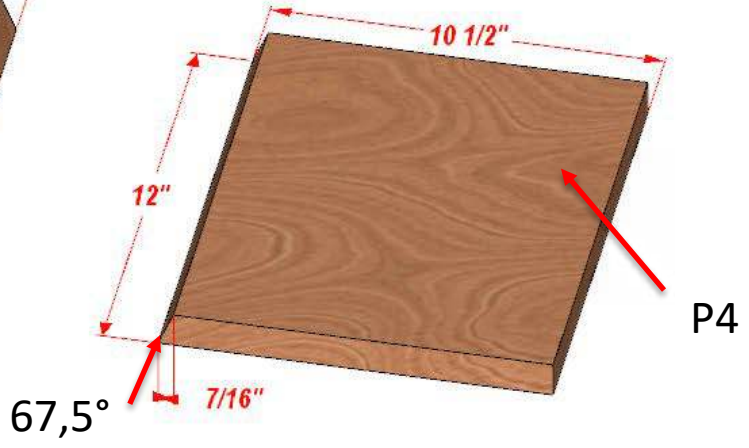
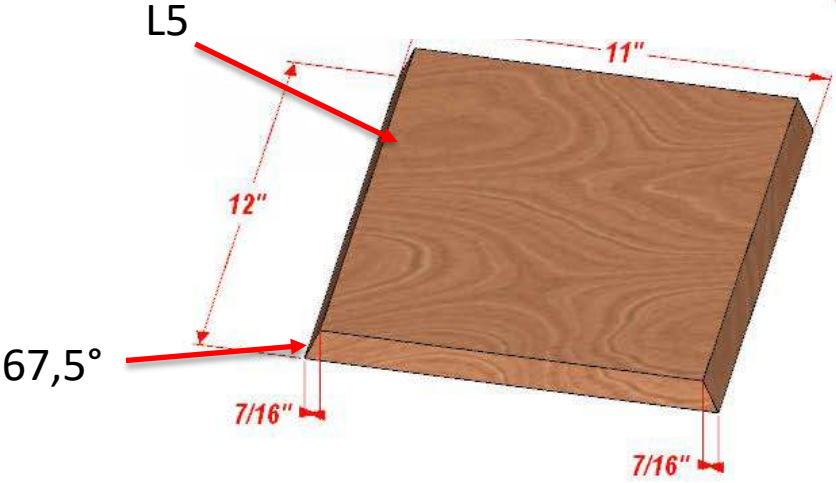
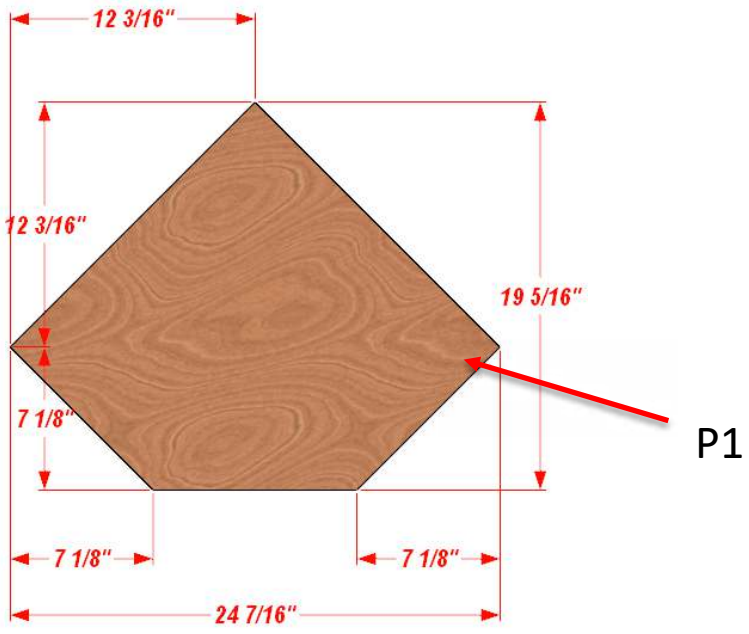
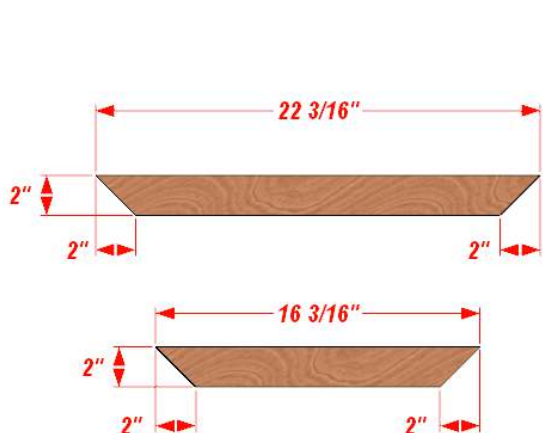
Estimated time:

About 8 hours

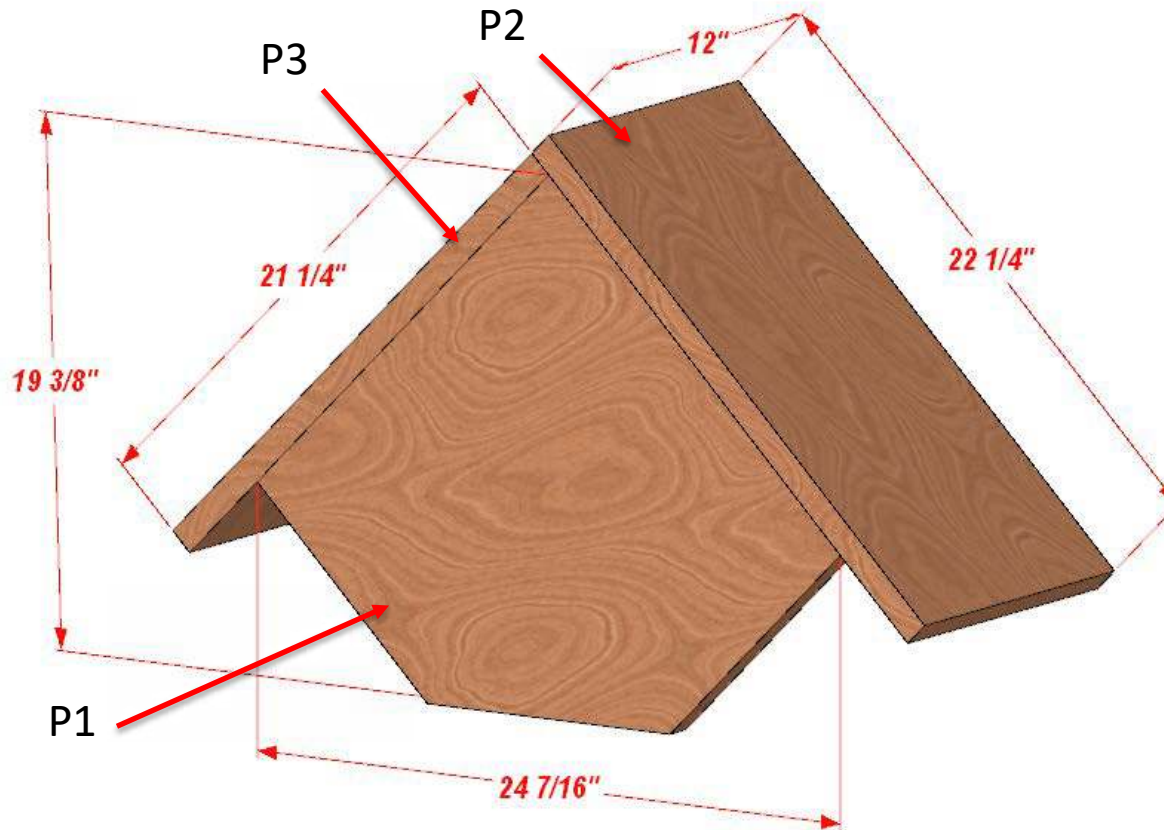
Buckingham Dovecote centerpiece material list

Wood/wooden materials						
Name	Material	Property	L	W	QTI	Note
P1	Plywood 1"	Cutout	19 3/8"	24 7/16"	1	Back
P2	Plywood 1"		22 1/4"	12"	1	Top left
P3	Plywood 1"		21 1/4"	12"	1	Top right
P4	Plywood 1"	Angle cut	10 1/2"	12"	2	Front left/right
P5	Plywood 1"	Angle cut	11"	12"	1	Front bottom
P6	Plywood 1"	Cutout	22 3/16"	2"	1	Long lintel
P7	Plywood 1"	Cutout	16 3/16"	2"	1	Short lintel

Special details

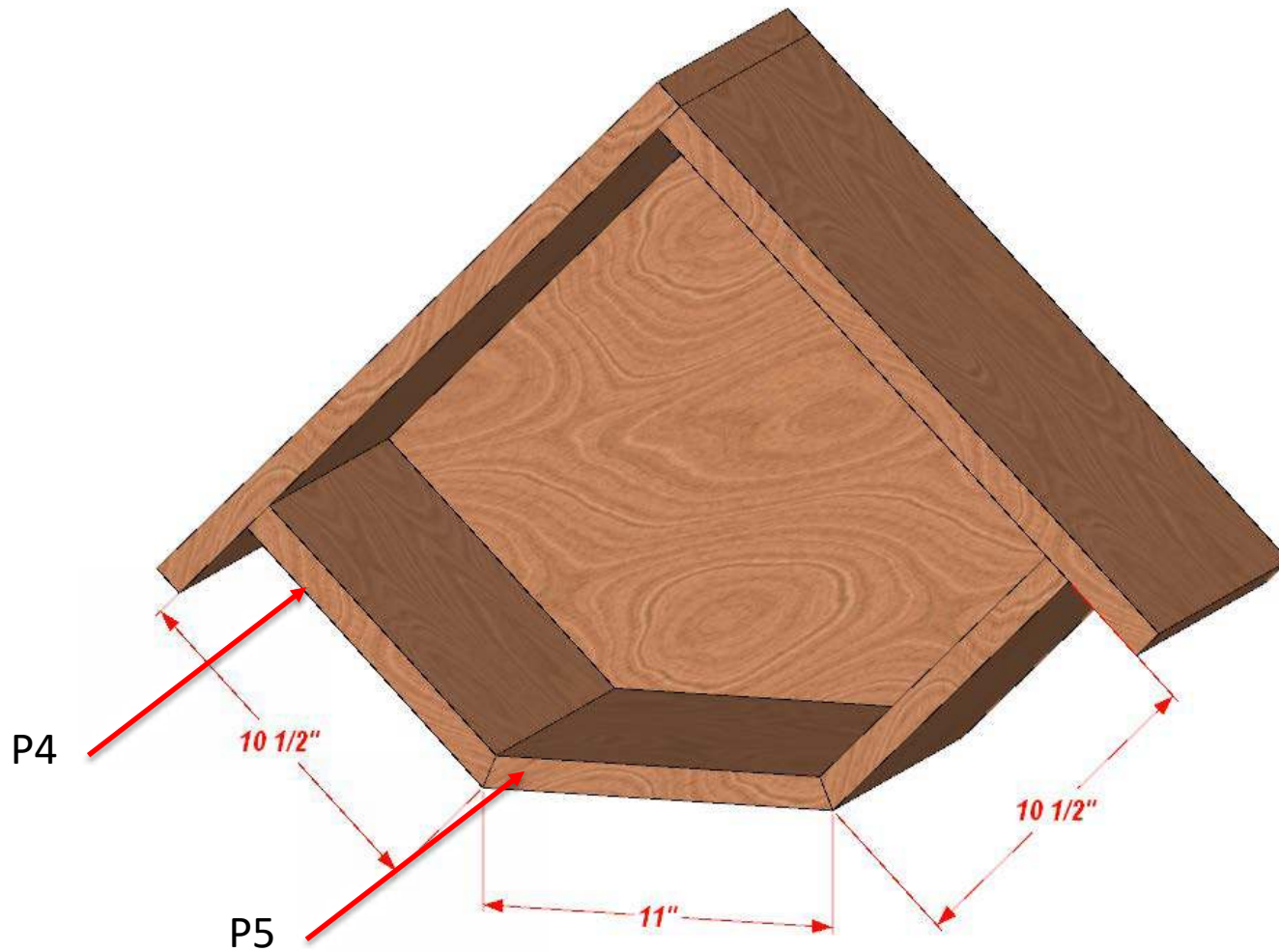


Stage 1



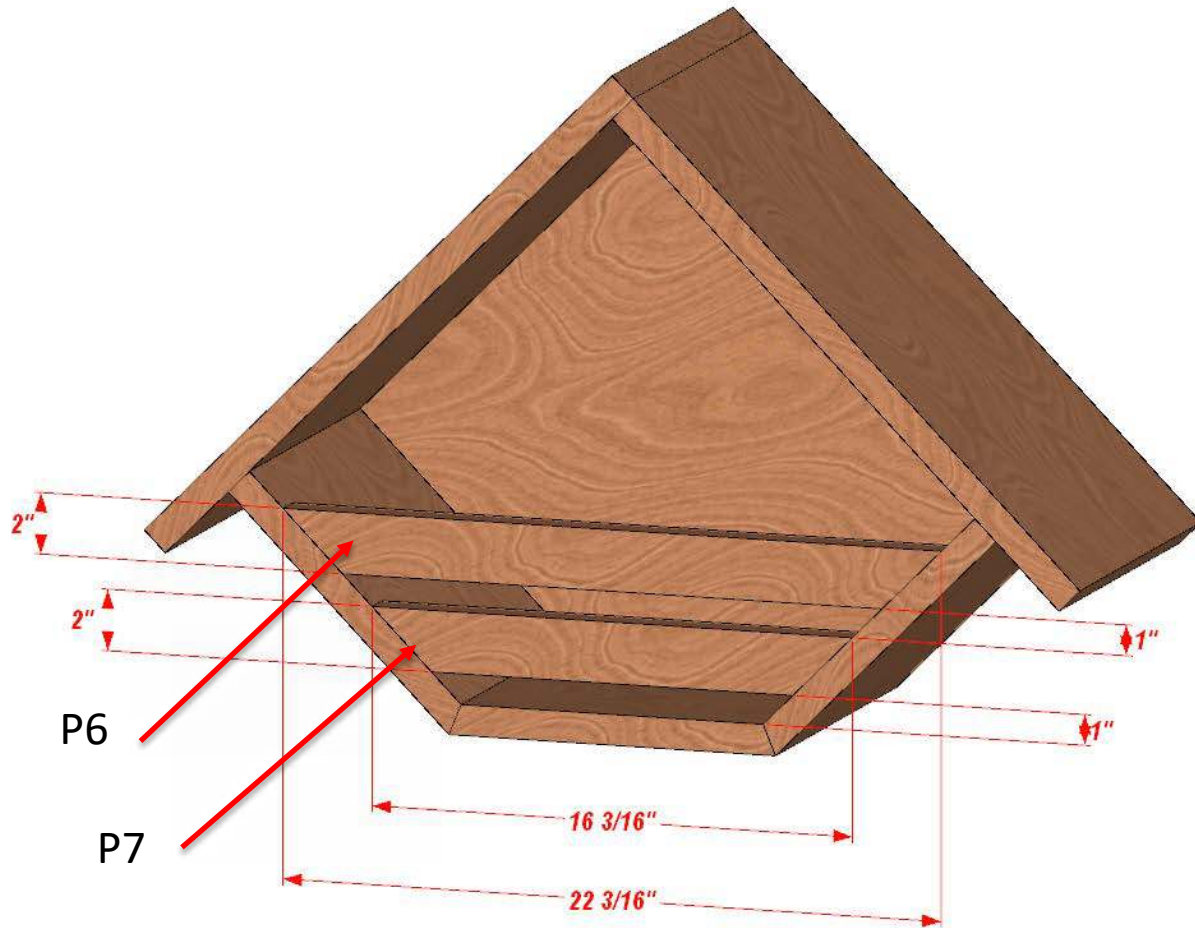
Attach top panels to back panel. Use 2" screws or nails.

Stage 2



Attach front panels to back and top panels. Use 2" screws or nails.

Stage 3



Add lintels to the front. Use 2" screws or nails.

General recommendations

1. Please use safety glasses and hearing protection.
2. Be careful with electricity and electric tools.
3. It is recommended to brush and cover wood elements by paint or varnish.